

User Guide

-- 3 Stage Ethanol Flame



Create Your Unique Fire Space From Here...

Art Fireplace Technology Limited.

PROFESSIONAL INTELLIGENT FIREPLACE MANUFACTURER

Official Website: www.art-fire.com

www.art-fireplace.com

E-mail: info@art-fireplace.com

**Address: FLAT/RM 705,7/F,FA YUEN COMM BLDG NO.75,FA YUEN
STREET,MONG KOK,KLN,HK**

- 1, Technical details
- 2, Dimensions of the burner
- 3, Minimum dimensions of safety
- 4, Operating Procedure



1. TECHNICAL DETAILS

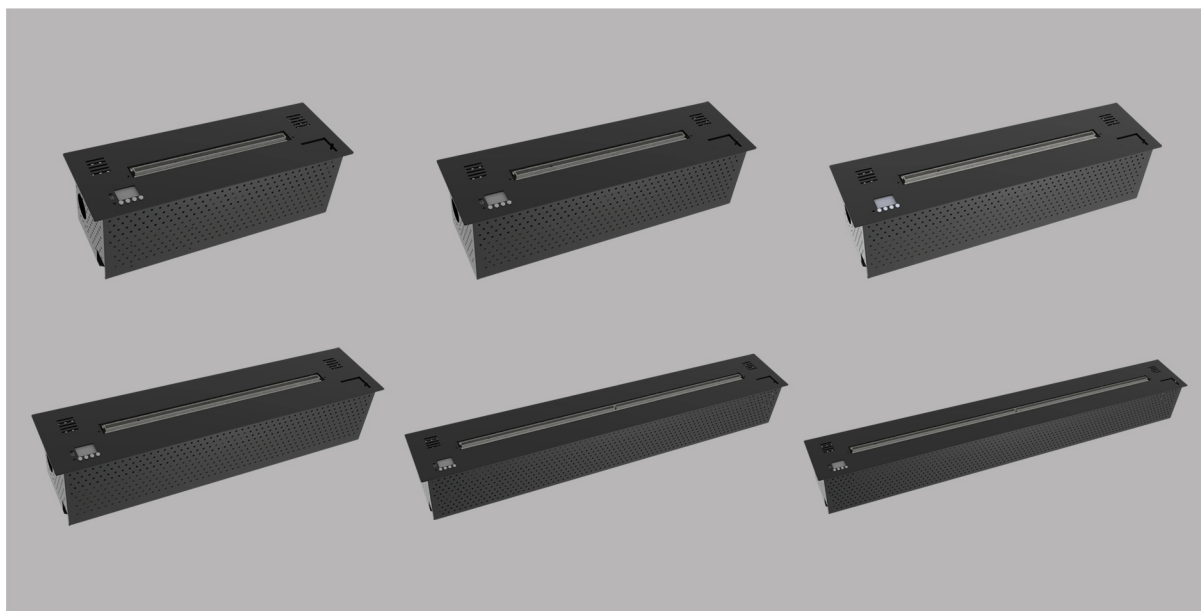
- <1> 3 Level Flame Height Adjustable by ON/OFF switch and Remote Control
- <2> Automatic injection function into the tank.
- <3> Security detectors which stop the burner in case of abnormal operation.
- <4> Security detectors: CO², heat, burner level, tank level, level of filling, Leak etc...
- <5> LED display: operating time, error messages and beep sounds.
- <6> Stainless steel ethanol burner. Thickness of the top plate 3 mm.
- <7> Electronically managed Swedish Electric pump for filling the burner (from the medical field)



WARNING! SAFETY ADVICE!

- Every room where the apparatus is used must be provided with a sufficient fresh supply of oxygen (accordingly to the local rules and regulation).
- Do not use the device near flammable objects.
- Never use your device to heat or boil water or as a cooking appliance.
- It is forbidden to use this device in caravans on the systems of safety.
- A safety system prevents the ignition when the apparatus is hot. Do not hinder it' s functioning.
- Do not move the device when it is running or cooling down.
- If the power cable supplied with the fire is damaged, please contact your supplier for a replacement from the manufacture.
- Never put your hand, touch or lean on the fireplace when it is functioning or during cooling period.
- Installing the fireplace horizontally (check it with a spirit level). Fix it strongly against the wall or on the ground.
Respect the local and national laws regarding the use of fireplaces.

3.External Pump Injection Function:



Reference (Models)	Output (Watts)	Consumption (Litre/hour)	Tank capacity (Liters)	Dimensions L x W x H (mm)	Weight (Kgs)	Minimum volume * (m3)
AF66	3750	0.6	7.5	680*240*215	16	59
AF80	3850	0.4~0.8	9.5	820*240*215	28	60
AF90	5020	0.5~0.8	10.5	920*240*215	31	65
AF100	6200	0.5~0.9	11.5	1020*240*215	34	75
AF120	7500	0.6~1.0	13.5	1220*240*215	39	90
AF150	10000	0.8~1.2	17	1520*240*215	45	105
AF180	12400	1.0~1.4	21	1820*240*215	51	120
AF210	14000	1.2~1.6	23.5	2100*240*215	57	135
AF230	15600	1.5~2.0	27	2300*240*215	64	150
AF250	17400	1.8~2.3	29.5	2500*240*215	71	165

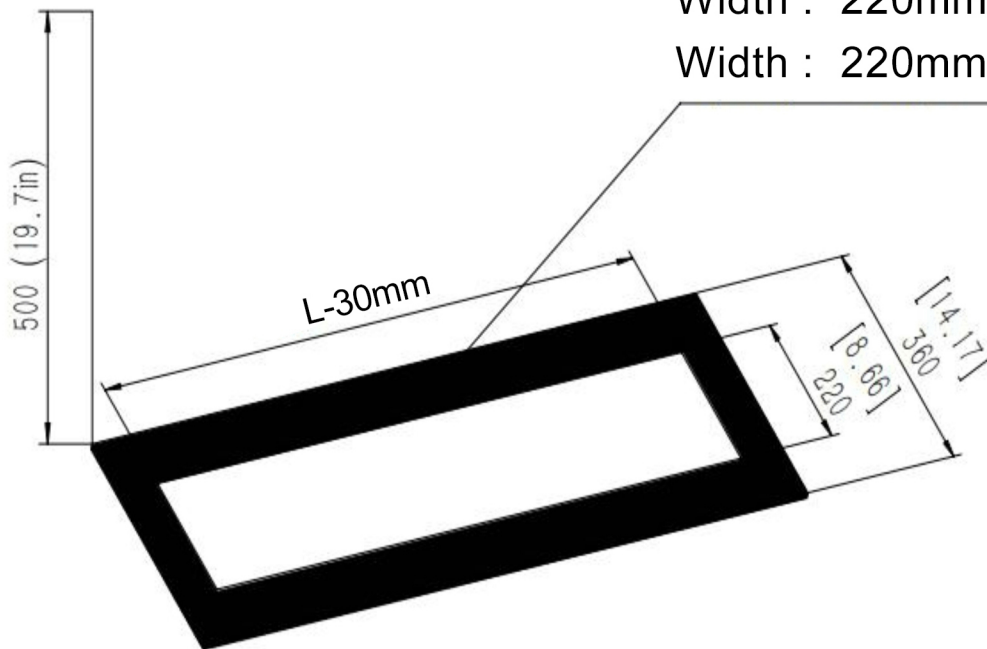
- 1, Before connecting electronic power to the burner, close the tank door well.
- 2, Connect electronic power to the burner, then wait **3 seconds**, and then operate the burner.
- 3, If you want to turn on the burner, keep pressing the On/Off button 3 seconds or press the remote controller.

3. MINIMUM DIMENSIONS OF SAFETY

Minimum dimensions of safety with non-flammable materials

Above: 50 cm 19.7 inches. Edges: 7 cm 2.75 inches. Back side: 7cm 2.75 inches.

Housing:
Length : L-30mm
Width : 220mm/8.66in
Width : 220mm/8.66in



4. OPERATING PROCEDURE

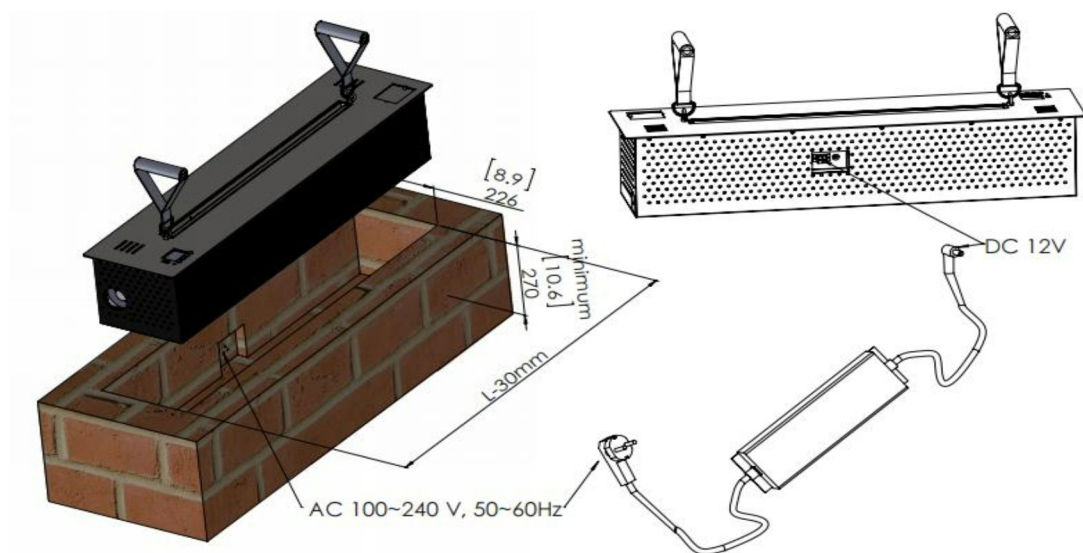
<1>Power supply



Connect the provided 12V adapter

<2>Installation

Insert the ethanol burner



<3>Add FUEL And WATER into The Tanks:

Use only bio ethanol 95 – 97% and Pure Water

Press the Door to Add Ethanol and Water IN to the tank.



Automatic Injection Function:

Use a plastic tube to connect the burner **1** and the external ethanol tank.

Keep pressing the button **2** three seconds, the light will turn blue and the ethanol will be pumped into ethanol tank.

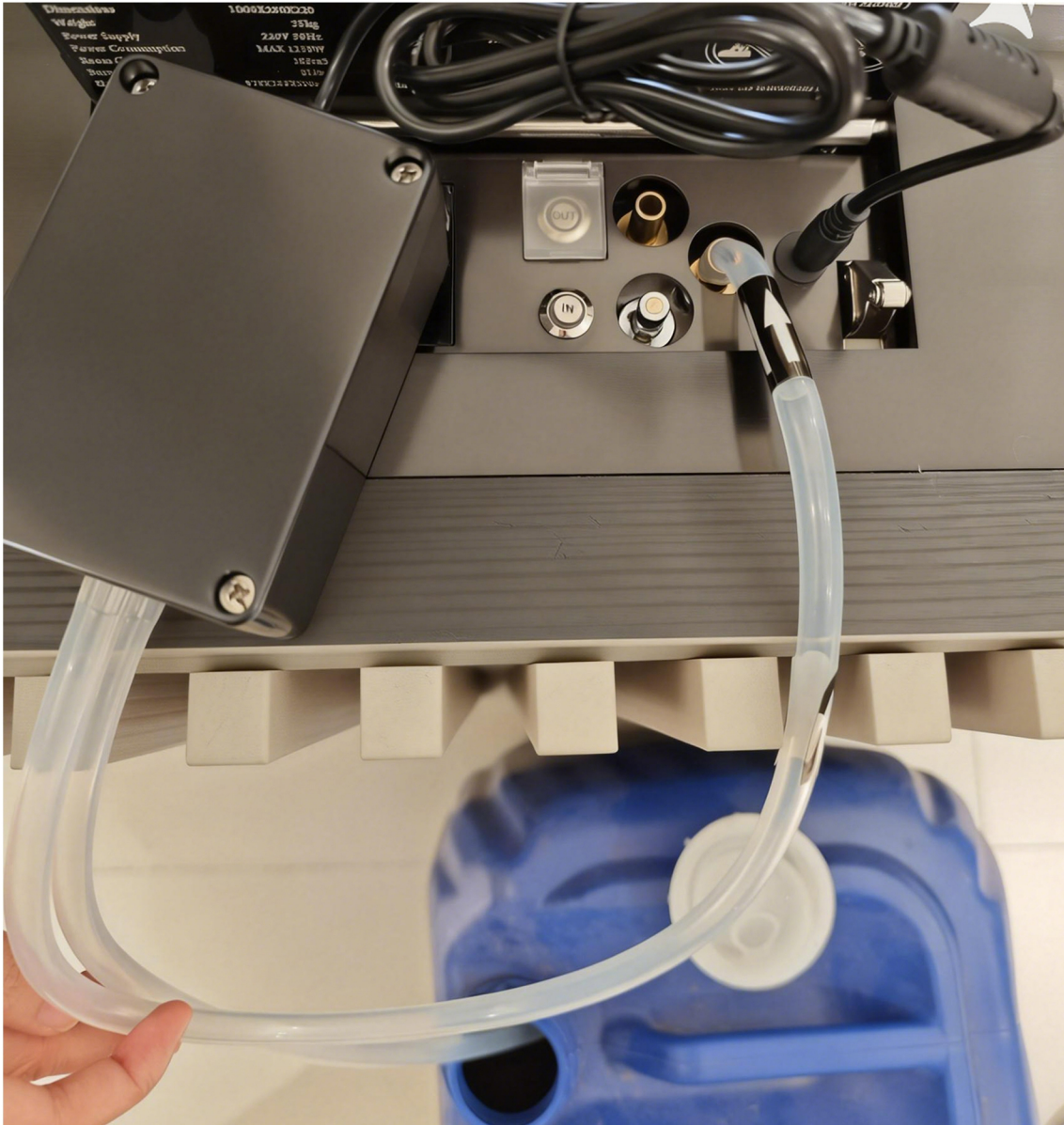
When ethanol tank is full, the automatic injection will stop and the light will turn off.

Use a plastic tube to connect the burner **3** and the external water tank.

Keep pressing the button **4** three seconds, the light will turn blue and the water will be pumped into water tank.

When water tank is full, the injection will stop and the light will turn off.

3.External Pump Injection Function:

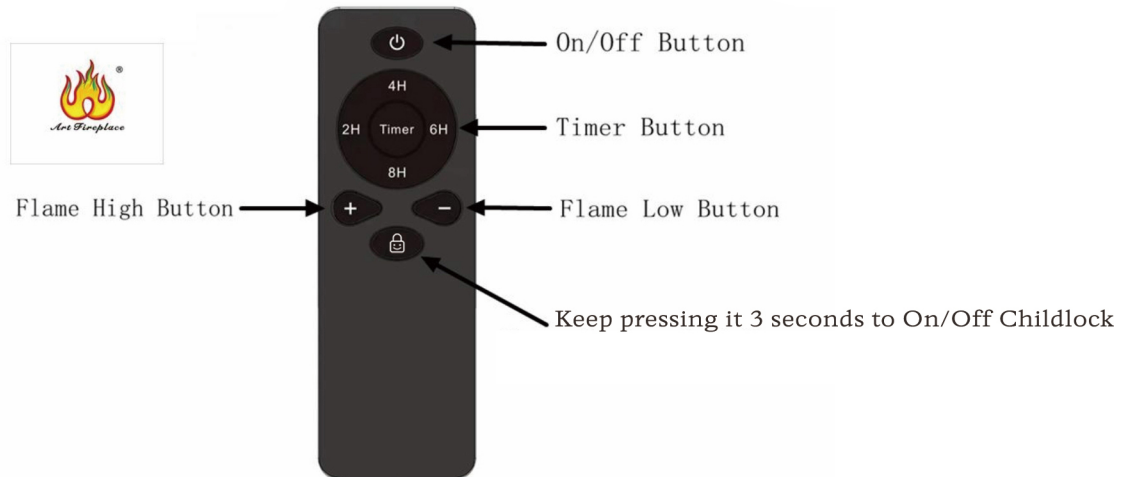


Attention:Never fill the burner directly or fill the ethanol tank.



Pump hose and charger

5. Remote Controller



Before Turn On The Fireplace, Please Open The Tank Door To Add Ethanol/Water Into The Tank

1, Press The button  to turn On/Off the device.

If there is no ethanol and water in the device, device can not work.

2, Keep pressing button  3 seconds to On/Off Childlock

3, Press The button  to High Flame Mode.

Flame Level from 1-2-3 stage

4, Press The button  to Low Flame Mode.

Flame Level from 3-2-1 stage

5, Timer Mode 2h/4h/6h/8h Timer

Press  button, 2 hours later device will turn off. Press  again to cancel.





Focus On Intelligent Ethanol Fireplaces & Water Fires & Gas

Art Fireplace Technology Limited.

PROFESSIONAL INTELLIGENT FIREPLACE LEADER

Official Website: <https://www.art-fireplace.com>

Phone:0086 13928878187 E-mail:info@art-fireplace.com

Address:FLAT/RM 705,7/F,FA YUEN COMM BLDG NO.75,FA YUEN STREET,MONG KOK,KLN,HK

Thank you For Reading.

YouTube <https://www.youtube.com/@artfireplace>

Art Fireplace Technology Limited